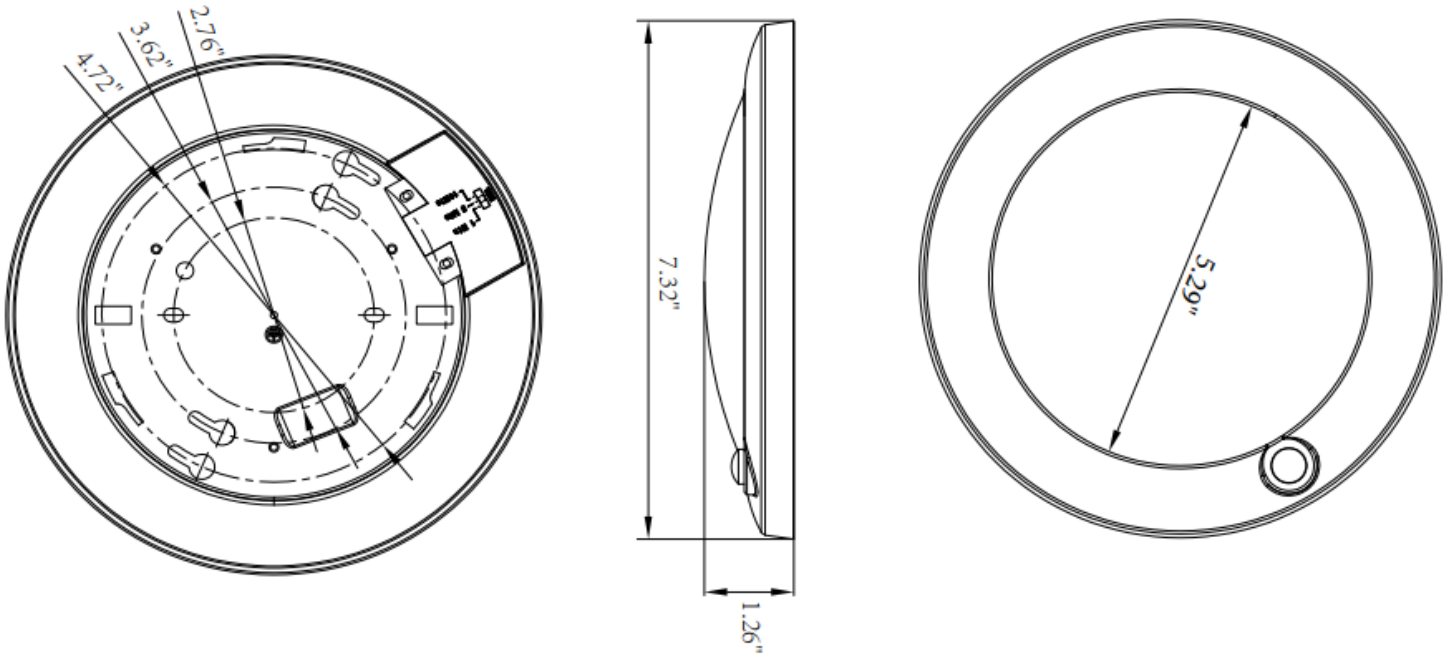


Vima Decor's LED Motion Sensor Disc Downlight is the perfect fixture for areas that may need an automated light source, like a closet or laundry room. This super slim light fixture is simple to install, with selectable toggle switch between 2700k, 3000k, 3500k, 4000k and 5000k color temperature settings.



Product Name: 6" LED Motion Sensor Disc Light
Item Number: V1-D556D-90-CCT-WH-MS

Diameter (in): 6
Light Output: 15W LED
Fixture Finish: White
Shade Finish: Opaque Acrylic
Features: Changing Color Temperatures (CCT) - 5 Choices
Color Temperature Options: 2700K, 3000K, 3500K, 4000K, 5000K
Timer: 1min, 5min, 10min Adjustable
Color Rendering Index: 90
Lumen Output: >75lm/w
Integrated LED Module
Suitable for Damp Locations
Certifications: UL, Energy Star

